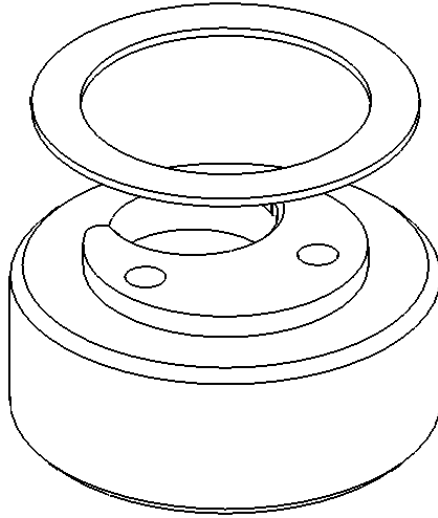


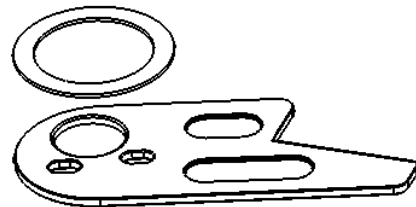
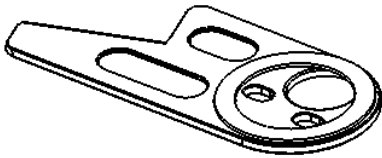
No.	Description	Quantity
1	Left Bearing Housing	1
2	Right Bearing Housing	1
3	Locating Top Plates	2
4	Upper Spring Locators	2
5	M12x1.25 Lock Nut	2
6	Chassis Protection Gasket	1
7	M8x20 Flange Bolt	4

Installation Guide

1. Get the car safely raised on axle stands
2. Remove the existing strut tops
3. Prepare the Honed strut tops
 - a. Apply circular rubber gaskets to Honed bearing housings



- b. Apply circular rubber gaskets to locating top plates. One will be on the same side as the etching and one will be on the opposite face.

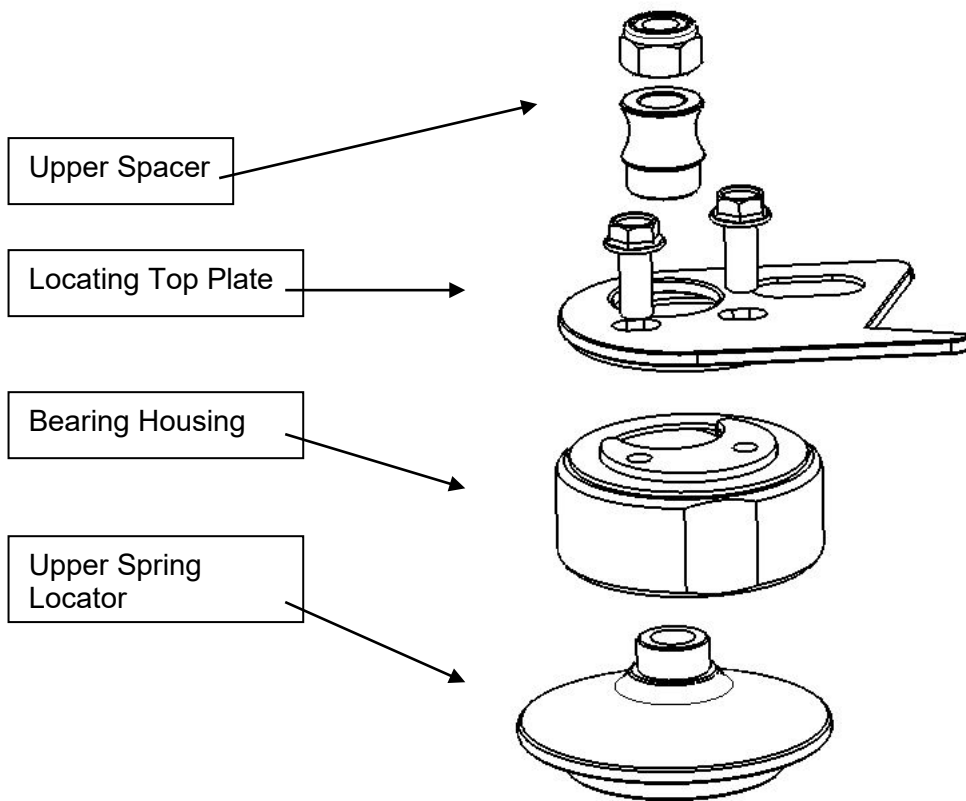


4. Prepare the chassis

- a. Cut the chassis protection gasket in half
- b. Apply to chassis as shown



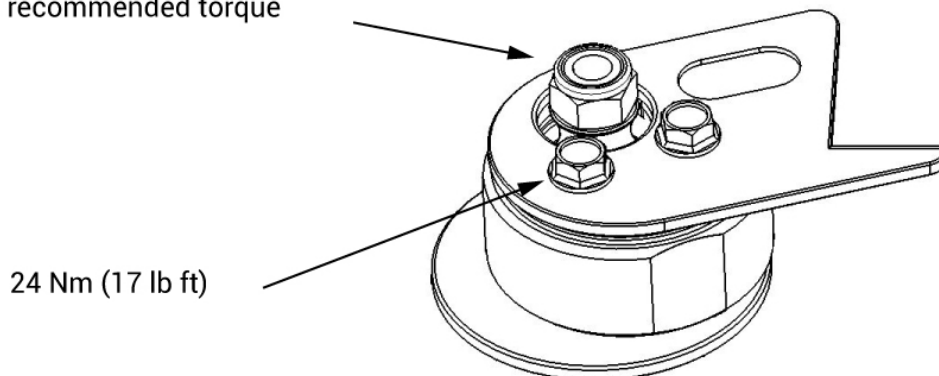
5. **Mount the bearing housings to the strut tower.** Locate the top plates as shown. The LHS/RHS markings are from the perspective of the drivers seat.





6. Torque the strut top fasteners

Refer to Coilover manufacturer's recommended torque



24 Nm (17 lb ft)

7. Swap the upper spring plastic bushing from the original coilover upper spring locator onto the Honed one. If it doesn't fit, discard it.
8. Slide the honed upper spring locator onto the damper shaft
9. Install coilover and locate shaft through centre of bearing in the strut top
10. Install Upper Spacer
11. Install m12 lock nut
12. Repeat on opposite side of the car.
13. Adjust your ride height
14. Get the car aligned
15. Check the fasteners as part of your regular vehicle inspection and checks.

The Table below Specifies Honed's Recommended Alignment Settings:

	Honed Recommendation	
Front Axle		
Individual Toe	0mm	
Camber	-3 degrees	
Caster	+1 to +4 degrees	
Rear Axle		
Individual Toe	+1.5mm (toe in)	
Camber	-2 to -2.5 degrees	