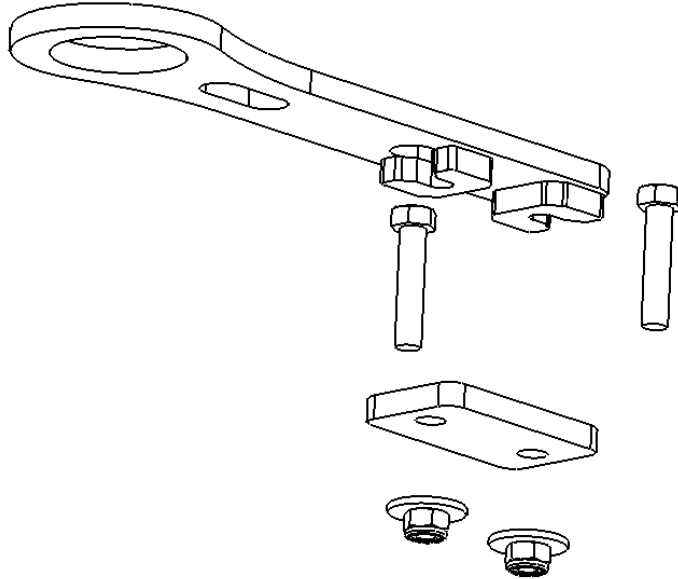


Installation Instructions

1. Slide the main eyelet bracket between the factory tie down point and the bottom of the boot floor



2. Insert the one of the supplied m8 hex head bolts up through the key hole shaped hole from below and then slide forward
3. Slide the second m8 hex head bolt into the open slot at the front
4. Offer up the clamp plate and align and thread the m8 bolts through the clamp plate
5. Apply one flat washer and one nyloc nut to each bolt
6. Tighten the bolts evenly, adjusting the position of the tow hook as you go
7. Torque the fasteners to 30 Nm or 22 lb ft.
8. Apply Tow sticker to rear bumper above the Tow Hook

