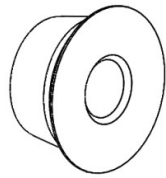
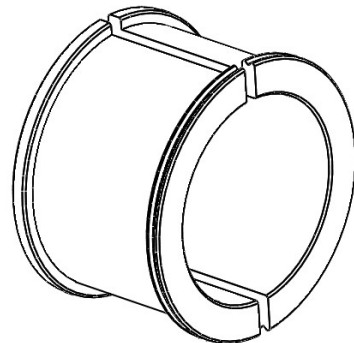


No.	Description	Quantity
1	HDP14-01-02 TAPERED BUSH	4
2	HDP14-01-01 CUSHION SLIT BUSH	1



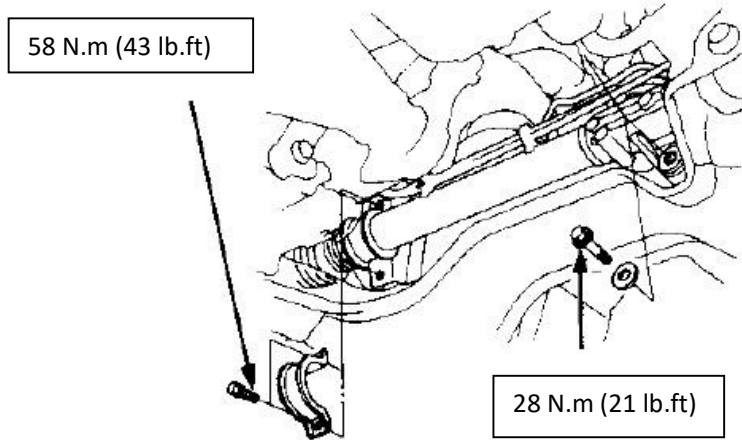
1



2

Aluminium Steering Rack Bush Installation Instructions

1. Remove old worn existing steering rack bushes.
2. Install Honed aluminium steering rack bushes
3. Torque to the following specifications:



Notes:

- If you have a steering rack showing signs of corrosion or other degradation of the quality of the aluminum take extra care when tightening the tapered bushes.
- The flanges on the tapered Honed steering rack bushes do not contact the rack body when installed, a gap is normal.

